



SEMI AUTOMATIC SCREEN FILTERS

PSA SERIES - POLYMERIC

APPLICATIONS

Semi - automatic backup filter.



STANDARD CHARACTERISTICS

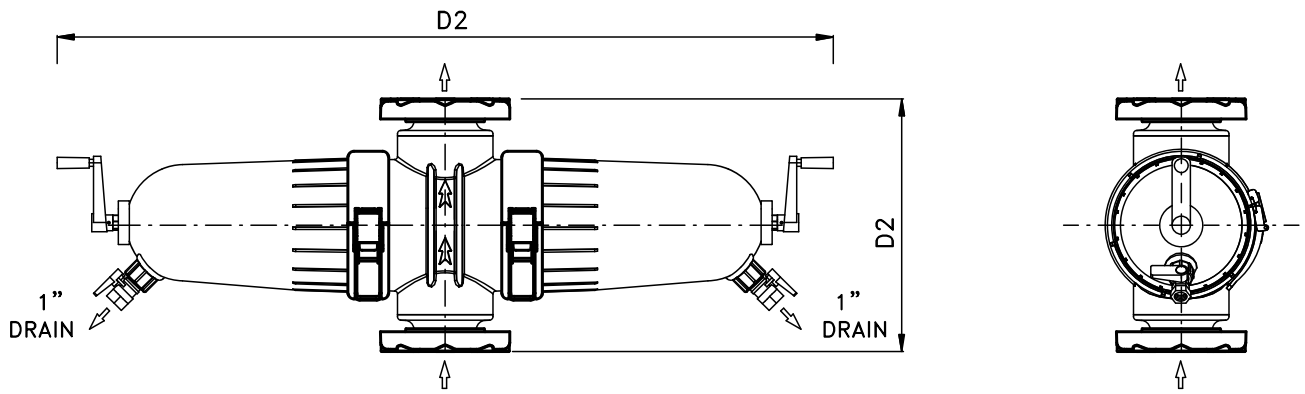
- Minimal maintenance
- Corrosion resistant
- Easy to open, clean and close
- Suitable for all commonly used fertilizers and acids
- Suitable for sea and brackish water, high and low pH 2-13
- Polypropylene housing - excellent chemical resistance
- Stainless Steel screen Polypropylene Reinforced body

WORKING PRESSURE

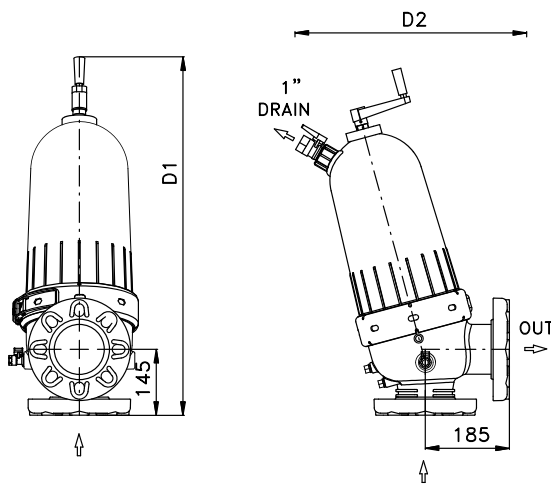
Maximum working pressure: 10.0 bar

Minimum backwash pressure: 2.8 bar

| MODEL | IN/OUTLET DIAMETER | MAX FLOW | FILTRATION SURFACE | D1 | D2 | WEIGHT |
|------------------------|--------------------|-----------------------|--------------------|-------|-----|--------|
| | INCH | 130µM | CM ² | MM | MM | KG |
| 3" Flange Angle | 3 | 60 m ³ /h | 1,250 | 789 | 509 | 13.00 |
| 4" Flange Angle | 4 | 90 m ³ /h | 1,250 | 789 | 509 | 14.00 |
| 4" Twin Flange | 4 | 110 m ³ /h | 2,500 | 1,368 | 415 | 26.00 |
| 6" Twin Flange | 6 | 140 m ³ /h | 2,500 | 1,368 | 415 | 28.00 |



4" - 6" Super Leader



3" - 4" Angle

PRESSURE LOSS AT 120 MICRON

