

# SERIES 80

## TURF IRRIGATION VALVES 3/4" & 1"



### DESCRIPTION

Electric valve for gardens, parks and golf courses

### FEATURES & BENEFITS

- Simple, reliable and economical
- Globe- pattern valve, activated by a fully- supported diaphragm
- Durable, corrosion free materials
- Unique clog- free labyrinth inlet of the activation water
- Operation at wide range of flow rates, from near zero to the maximal flow
- Internal bleed manual override opening
- Removable flow control stem handle (optional)
- No filters
- No cleaning needle

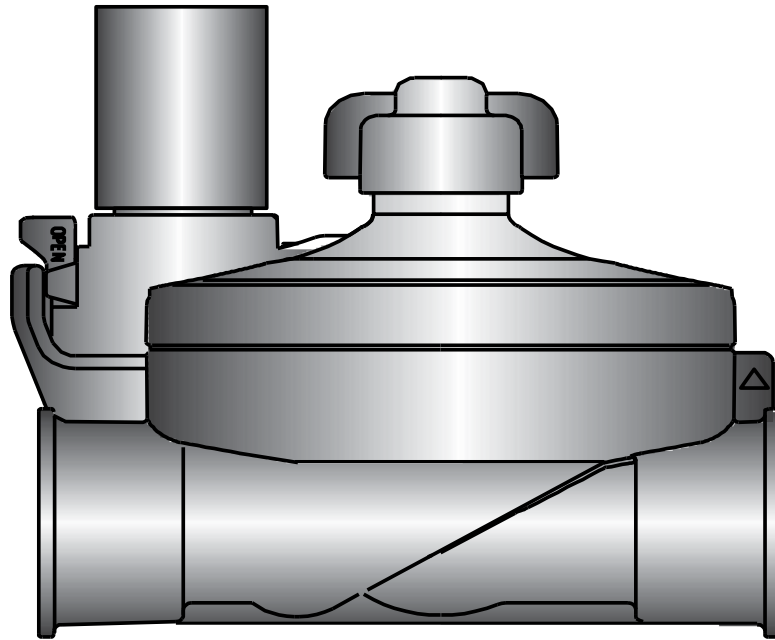
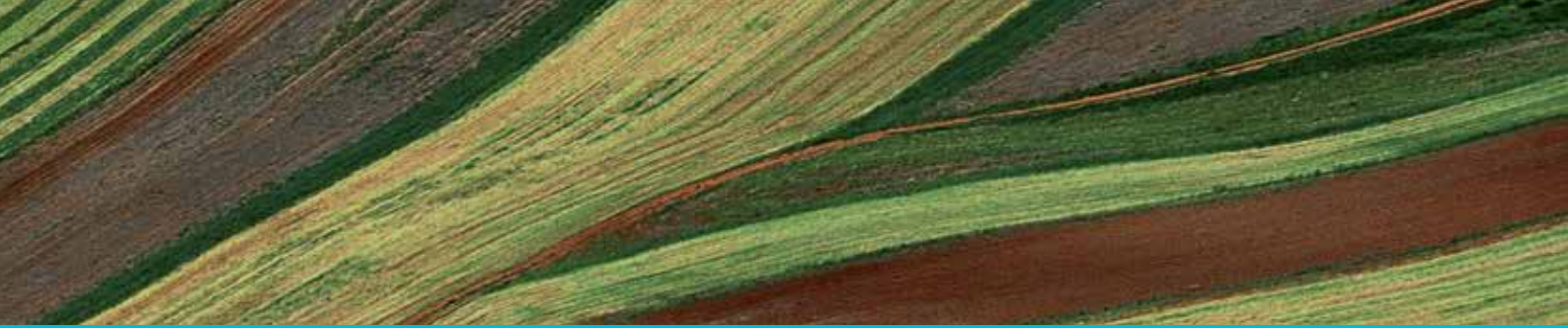
MODEL		MINIMUM PRESSURE	MAXIMUM PRESSURE	MAXIMUM FLOW	MAX AMBIENT TEMP	DIMENSIONS			WEIGHT
MM	INCH	BAR	BAR	M <sup>3</sup> /H	°C	L	H	W	KG
20	3/4"	0.5	10	6	52	98	109	75	0.28
25	1"	0.5	10	10	52	103	112	75	0.29

Maximum Fluid Temperature: 60°C/ 140°F

Specifications

Standard: 24 VAC 50/60 Hz. ±10%

Optional: Other voltage rating or latching DC operators  
Current: 0.25 Amp Inrush; 0.11 Amp holding



### HEADLOSS

